

## INSTALLATION & SIGHT IN INSTRUCTIONS FOR OPTIMIZER TETRA ADJUSTABLE BOW SIGHT

### CAREFULLY READ THE FOLLOWING INSTRUCTIONS COMPLETELY BEFORE MOUNTING OR SIGHTING IN YOUR BOW!

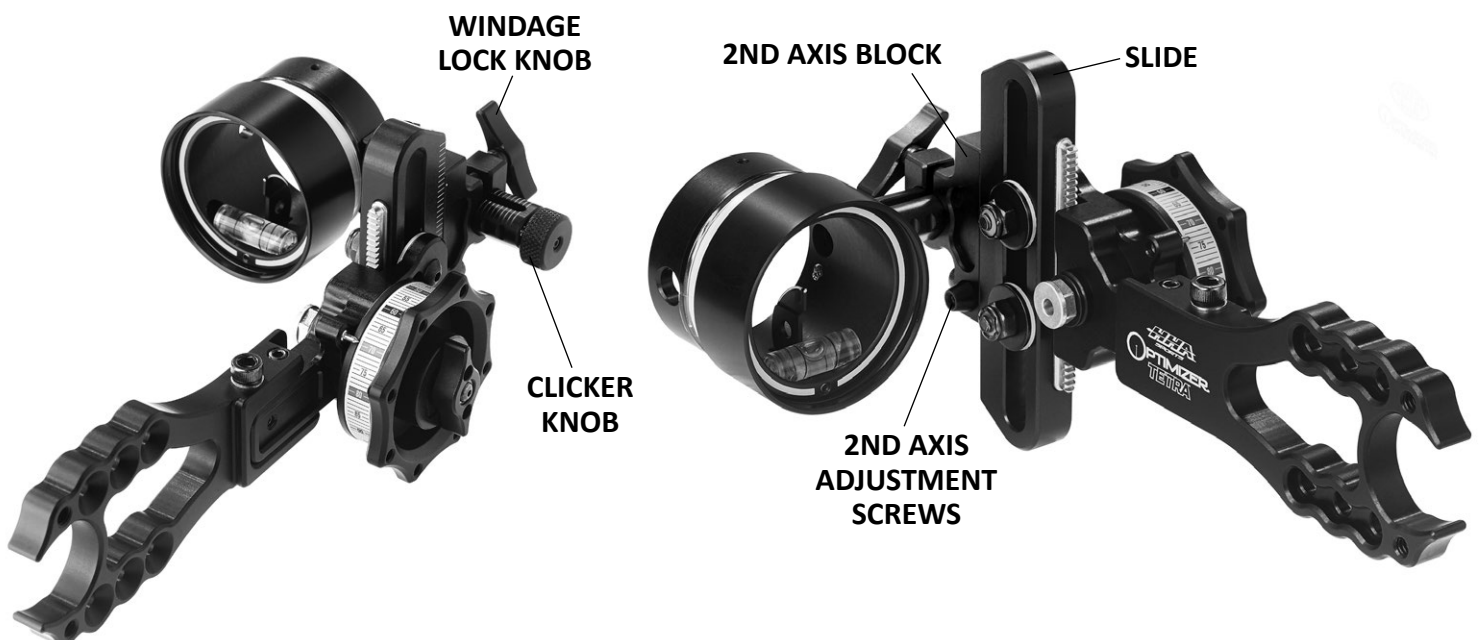
#### Mounting the sight on your bow:

1. Using the two 10-24 screws, mount the sight to your bow riser. Choose the set of holes that best fit your riser and shooting style.
2. With the brass T-Nuts oriented properly, position the 2nd AXIS BLOCK onto the SLIDE. Slightly snug the top T-Nut. Grasping the SCOPE, rotate the entire 2nd AXIS/SCOPE ASSEMBLY clock-wise/counter- clock-wise to position it in the approximate center of the 2nd AXIS "swing". Slightly snug the bottom T-Nut.

**Note:** The 2nd AXIS BLOCK has a hole at the top and a slot at the bottom for attachment to the SLIDE. The average archer may not use this feature and will simply position the bottom screw in the "MIDDLE" of the slot before tightening. The more technical archer will require that the level in the scope housing is positioned perfectly square with the vertical axis of the bow. This is done by mounting the bow vertically level in a bow vise. With the TOP mounting screw slightly snug, and the bottom screw loose, insert the enclosed wrench into the 2nd AXIS ADJUSTMENT SCREWS to micro-tune the 2nd AXIS BLOCK until the bubble in the level is positioned between the witness marks. Tighten the BOTTOM screw, then the TOP. Gently rotate the other 2nd AXIS ADJUSTMENT SCREW until it just contacts the BOTTOM screw. DO NOT TIGHTEN the 2nd AXIS ADJUSTMENT SCREWS against the BOTTOM lock screw until AFTER you have sighted in at 20 yards.

#### Sighting in:

1. WINDAGE (left and right) adjustment: The Optimizer Tetra has a "course click" and a "micro click" for fast and precision LEFT/RIGHT adjustment.
  - a. Loosen the WINDAGE LOCK KNOB, and push the entire scope assembly LEFT/RIGHT through the 2nd AXIS BLOCK to roughly position the sight pin in vertical alignment with your arrow. Tighten the WINDAGE LOCK KNOB.
  - b. At CLOSE RANGE, shoot several arrows to determine the direction of adjustment required.
  - c. If your arrows group to the LEFT of the target:
    1. Loosen the WINDAGE LOCK KNOB (rotate counter-clockwise).
    2. Rotate the CLICKER KNOB counter-clockwise for RIGHT HANDED bow.  
Rotate the CLICKER KNOB clockwise for LEFT HANDED bow.
  - d. If your arrows group to the RIGHT of the target:
    1. Loosen the WINDAGE LOCK KNOB (rotate counter-clockwise).
    2. Rotate the CLICKER KNOB clockwise for RIGHT HANDED bow.  
Rotate the CLICKER KNOB counter-clockwise for LEFT HANDED bow.
  - e. One click = 1/8" at 20 yards.
  - f. Always tighten the WINDAGE LOCK KNOB before shooting (rotate clockwise).



## 2. ELEVATION (up and down adjustment) / Selecting the correct yardage tape:

Your Optimizer Tetra comes complete with a set of 52 different yardage tapes and a SET-UP tape installed on the TAPE DIAL. The yardage tapes are numbered on the top from 26 (extremely fast bow) to 77 (moderately slow bow). The numbers on the SET-UP tape are NOT yardage marks. They are merely a means of measuring and selecting the proper yardage tape. In order to select the correct tape, you must have a SAFE range with a measured 20 yards and a measured 60 yards.

- a. Rotate the TAPE DIAL counter-clockwise (for R.H.), clock-wise (for L.H.) to position the SLIDE in the UPWARD-MOST POSITION. Tighten the TAPE DIAL by rotating the DIAL LOCK clock-wise. The "ZERO" on the SET-UP tape is now aligned with the needle.
- b. SIGHT IN AT TWENTY YARDS by loosening the two T-nut screws 1/8 turn in the 2nd AXIS ADJUSTMENT BLOCK, and sliding it vertically along the 20 YARD SCALE. Slightly tighten the 2nd AXIS ADJUSTMENT SCREWS.
- c. SIGHT IN AT 60 YARDS by rotating the TAPE DIAL. Note: The accuracy of the entire shooting system depends on an extremely accurate sighting at both 20 and 60 yards.
- d. Once you are accurately sighted in at 60 yards, lock the TAPE DIAL by rotating the DIAL LOCK clock-wise.
- e. Make note of the number on the SET-UP tape that is aligned with the brass needle (example: 48).
- f. The sight tapes in the enclosed kit are numbered from 26 to 77. Our example shows that we need tape 48. Simply peel tape 48 from the kit and carefully apply it to the TAPE DIAL, ALIGNING THE "60" YARD MARK WITH THE NEEDLE.
- g. After the YARDAGE tape is squarely applied to the TAPE DIAL, remove and apply the enclosed clear Mylar decal over the two tape ends to secure.

### 3rd Axis Adjustment:

The 3rd axis adjustment is a feature that is generally used by competition archers and by those that hunt in mountainous terrain. Most archers ignore this feature but it is built into the Optimizer Tetra for those that wish to use it. It is best to have a qualified bow technician adjust your 3rd axis. With the bow mounted vertically level in a bow vise, and with the 2nd axis previously calibrated, the vise is tilted forward 45 degrees and locked. The level in the scope is then observed to assure that the bubble is still reading true. If not, loosen the 3rd AXIS LOCK SCREW. Insert the enclosed wrench into the 3rd AXIS ADJUSTMENT SCREW and rotate until the bubble is centered. Next, the bow vise is loosened, tilted backwards 45 degrees and locked. Check that the bubble reads true. Tighten the 3rd AXIS LOCK SCREW.

